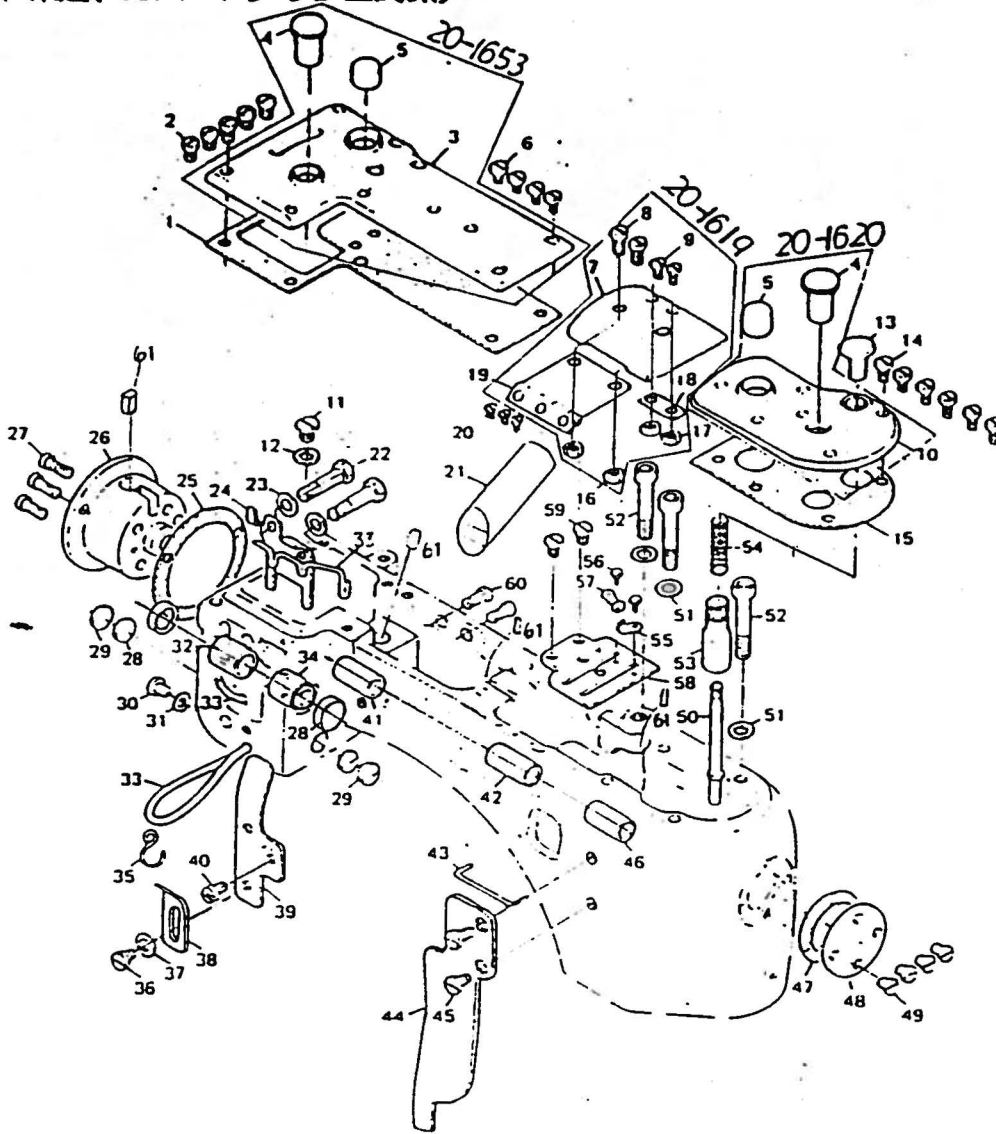

PARTS LIST

S

S-6802D

1. Frame, cast-off plate, eyelets, covers and bushings

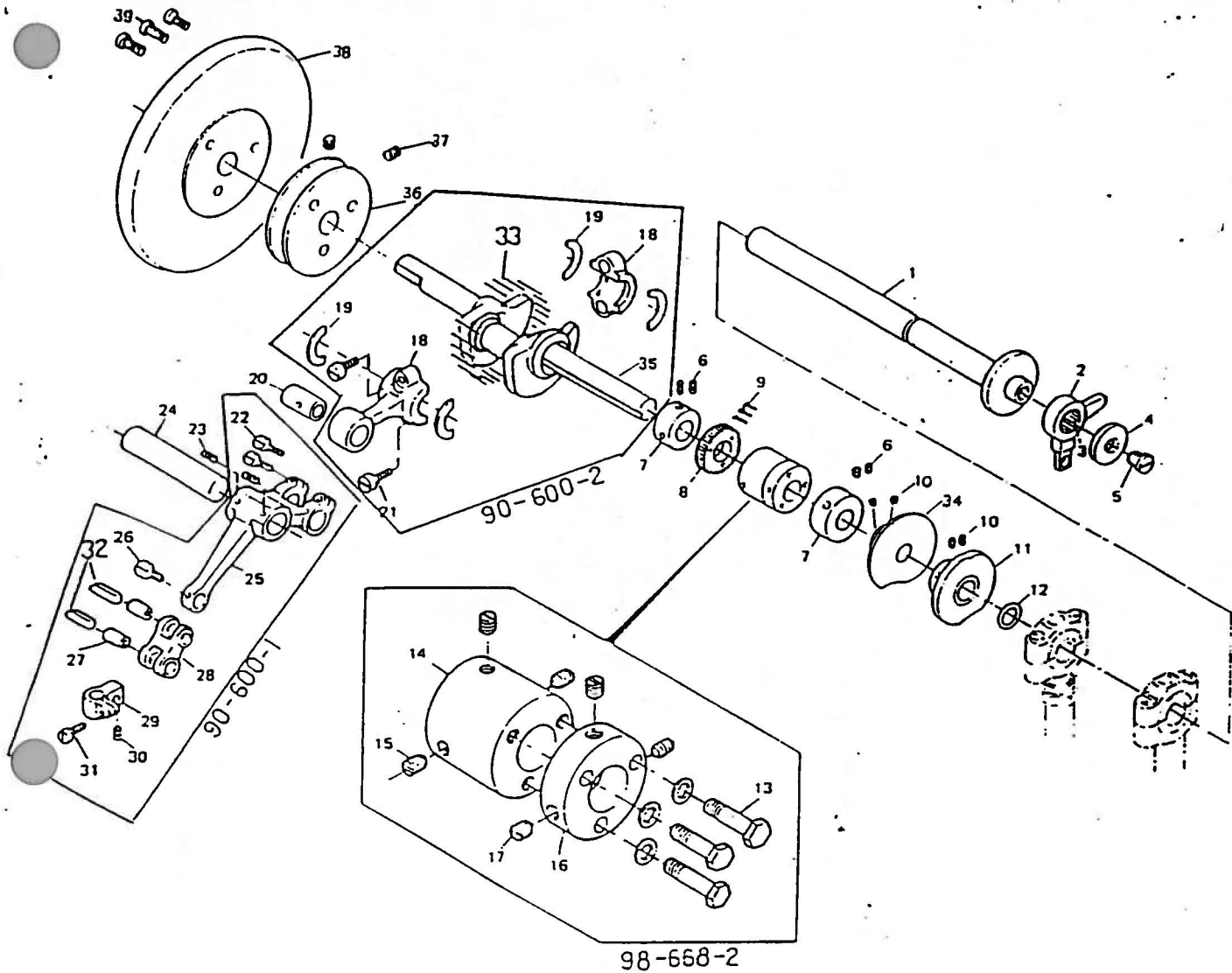
(別キ、糸道、カバー、ブッシュ関係)



Ref. No.	Parts No.	Part Name	Q'ty	Ref. No.	Parts No.	Part Name	Q'ty
1	98-605	Gasket	1	32	98-617	Needle lever shaft bushing, rear	1
2	84-572	Screw	5	33	23-341		2
3	21-653	Crank chamber cover	1	34	98-618	Needle lever shaft bushing, front	1
4	98-666A,B	Oil Cup	2	35	98-743	Oil wicking hook, upper	1
5	98-737	Oil Sight gauge	2	36	84-564	Screw	1
6	84-572	Screw	4	37	75-460	Washer	1
7	21-619	Top cover, middle	1	38	98-620	Needle thread eyelet	1
8	84-571	Screw	2	39	98-621	Needle thread eyelet	1
9	84-362	Screw	2	40	84-564	Screw	1
10	98-608	Top cover, front	1	41	98-622	Crank shaft bushing, front	1
11	84-574	Screw	1	42	98-623	Main shaft bushing, rear	1
12	75-467	Washer	1	43	98-624	Looper thread guide wire	1
13	98-609	Looper throw-out plunger knob	1	44	98-625	Looper thread shield	1
14	84-572	Screw	6	45	84-574	Screw	2
15	98-610	Gasket	1	46	98-626	Main shaft bushing, front	1
16	86-311	Nut	2	47	98-627	Gasket	1
17	86-211	Nut	2	48	98-628	Main frame end cover	1
18	98-611	Spring	1	49	84-161	Screw	3
19	98-612	Middle top cover hinge	1	50	98-629	Looper throw-out plunger	1
20	84-364	Screw	3	51	98-802	Washer	3
21	98-738	Oil gauge	1	52	98-803	Screw	3
22	98-803	Screw	2	53	98-630	Looper throw-out plunger bushing	1
23	98-802	Washer	2	54	98-631	Looper throw-out plunger spring	1
24	98-613	Oil shield	1	55	98-632	Cast-off plate eyelet, front	1
25	98-614	Gasket	1	56	84-161	Screw	3
26	98-615	Flange	1	57	98-633	Cast-off plate eyelet, rear	1
27	84-668	Screw	3	58	98-634	Cast-off plate	1
28	98-616	Bushing cup	2	59	84-674	Screw	2
29	98-800	Plug screw	4	60	84-566	Screw	2
30	87-756	Screw	1	61	23-383	Felt	4
31	23-195	O-ring	1				

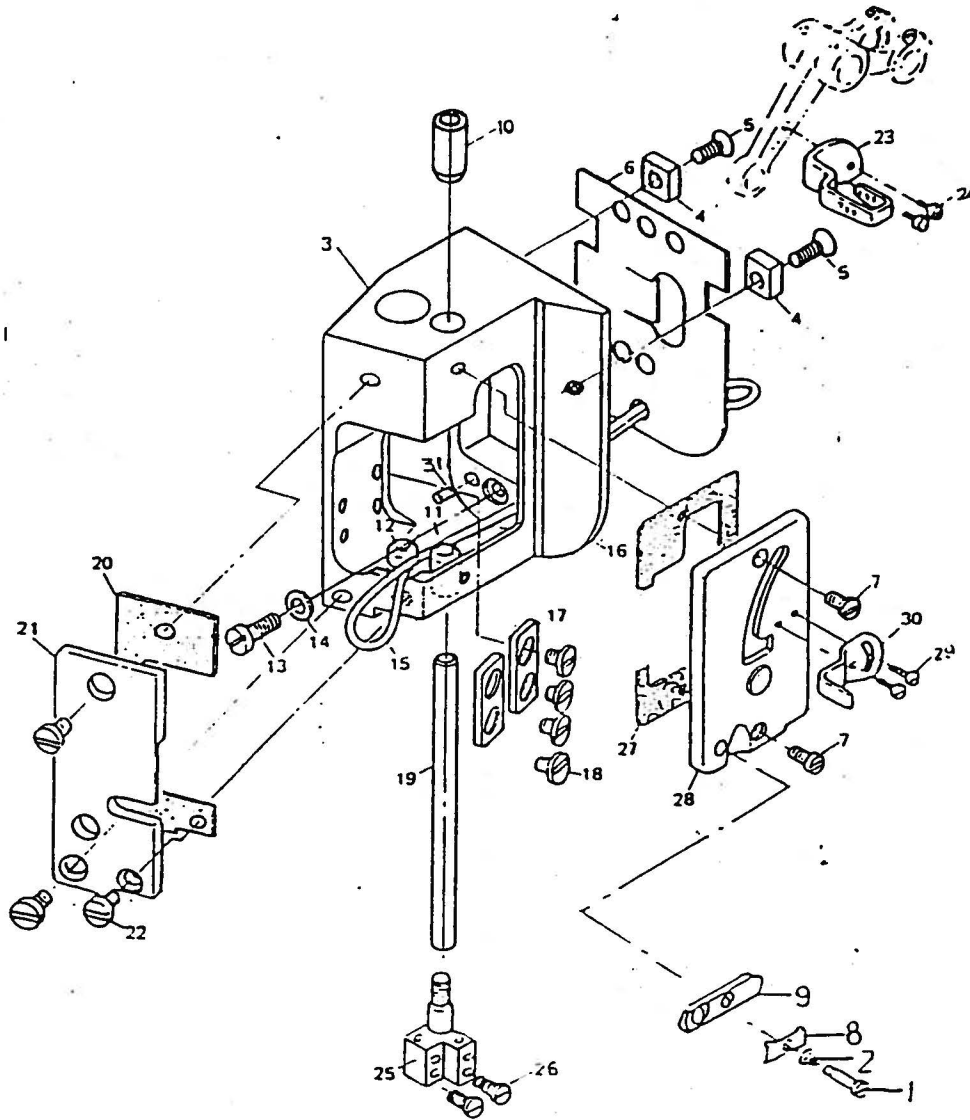
2. Needle lever, crankshaft and main shaft parts

(弓、クランクシャフト、メインシャフト機構)



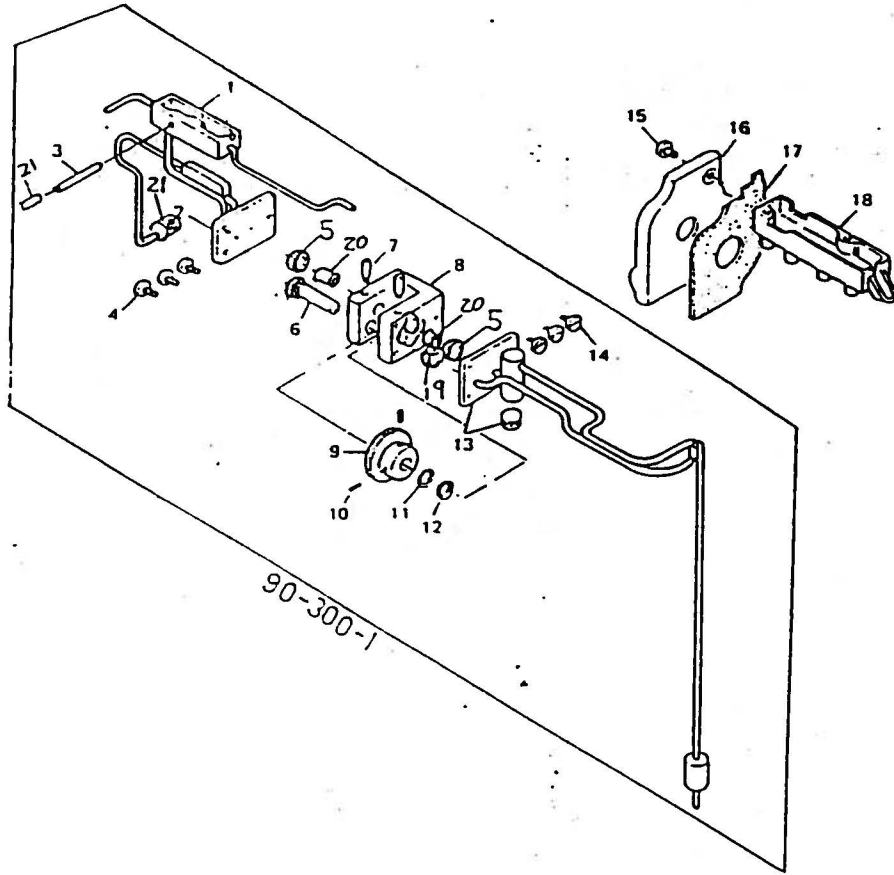
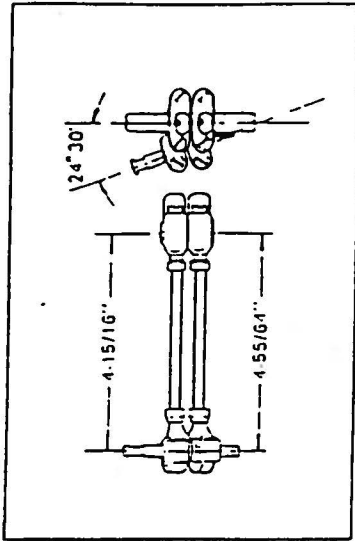
Ref. No.	Parts No.	Part Name	Q'ty	Ref. No.	Parts No.	Part Name	Q'ty
1	98-539	Main shaft	1	20	98-547	Needle lever connecting rod pin	1
2	98-541	Connection	1	21	84-572	Screw	2
3	98-860	Bearing	1	22	84-363	Screw	2
4	98-540	Connection collar	1	23	84-521	Screw	2
5	84-664	Screw	1	24	98-549	Needle lever shaft	1
6	84-718	Screw	2	25	98-548	Needle lever	1
7	98-543	Crankshaft thrust collar	2	26	84-364	Screw	1
8	98-545	Oil pump driving gear	1	27	71-432	Link pin	2
9	98-861	Screw	3	28	66-111	Needle lever Link	1
10	84-711	Screw	4	29	73-113	Needle bar connection	1
11	98-551	Looper thread take up	1	30	84-364	Screw	1
12	23-197	Oil seal ring	1	31	84-664	Screw	1
13	98-871	Screw	3	32	23-341	Felt	2
14	98-668	Main shaft coupling A	1	33	98-816	Needle bearing	1
15	84-718	Screw	3	34	98-552	Needle thread take up	1
16	98-669	Main shaft coupling B	1	35	98-709	Crankshaft	1
17	84-718	Screw	3	36	98-714	Pulley	1
18	98-546	Needle lever connecting rod	1	37	85-114	Screw	2
19	98-815	Needle bearing retainer	4	38	98-827	Handwheel	1
				39	84-765	Screw	3

3. Needle bar housing, needle bar, eyelet and covers (針棒ハウジング、針棒、糸道、カバー関係)



Ref. No.	Parts No.	Part Name	Qty	Ref. No.	Parts No.	Part Name	Qty
1	84-170	Screw	3	22	84-574	Screw	3
2	41-721	Spring	2	23	98-513	Thread eyelet	1
3	22-777	Needle bar housing cover	1	24	84-162	Screw	2
4	98-511	Key	2	25	12-649	Needle holder	1
5	84-462	Screw	2	26	84-314	Screw	2
6	23-657	Baffle plate	1	27	98-514	Gasket	1
7	84-462	Screw	2	28	21-651	Head cover front	1
8	41-601	Thread eyelet	2	29	84-161	Screw	2
9	41-602	PLATE	2	30	98-516	Needle thread take-up	1
10	98-510	Needl. bar bushing, upper	1	31	71-223	Taper pin	1
11	98-509	Needle bar bushing, lower	1				
12	98-735	Presser bar bushing, lower	1				
13	98-812	Screw	1				
14	75-452	Washer	1				
15	98-801	Oil wick	1				
16	98-506	Needle bar housing	1				
17	98-517	Presser bar guide plate	2				
18	84-362	Screw	4				
19	98-523	Needle bar	1				
20	23-652	Gasket	1				
21	21-652	Head cover, left	1				

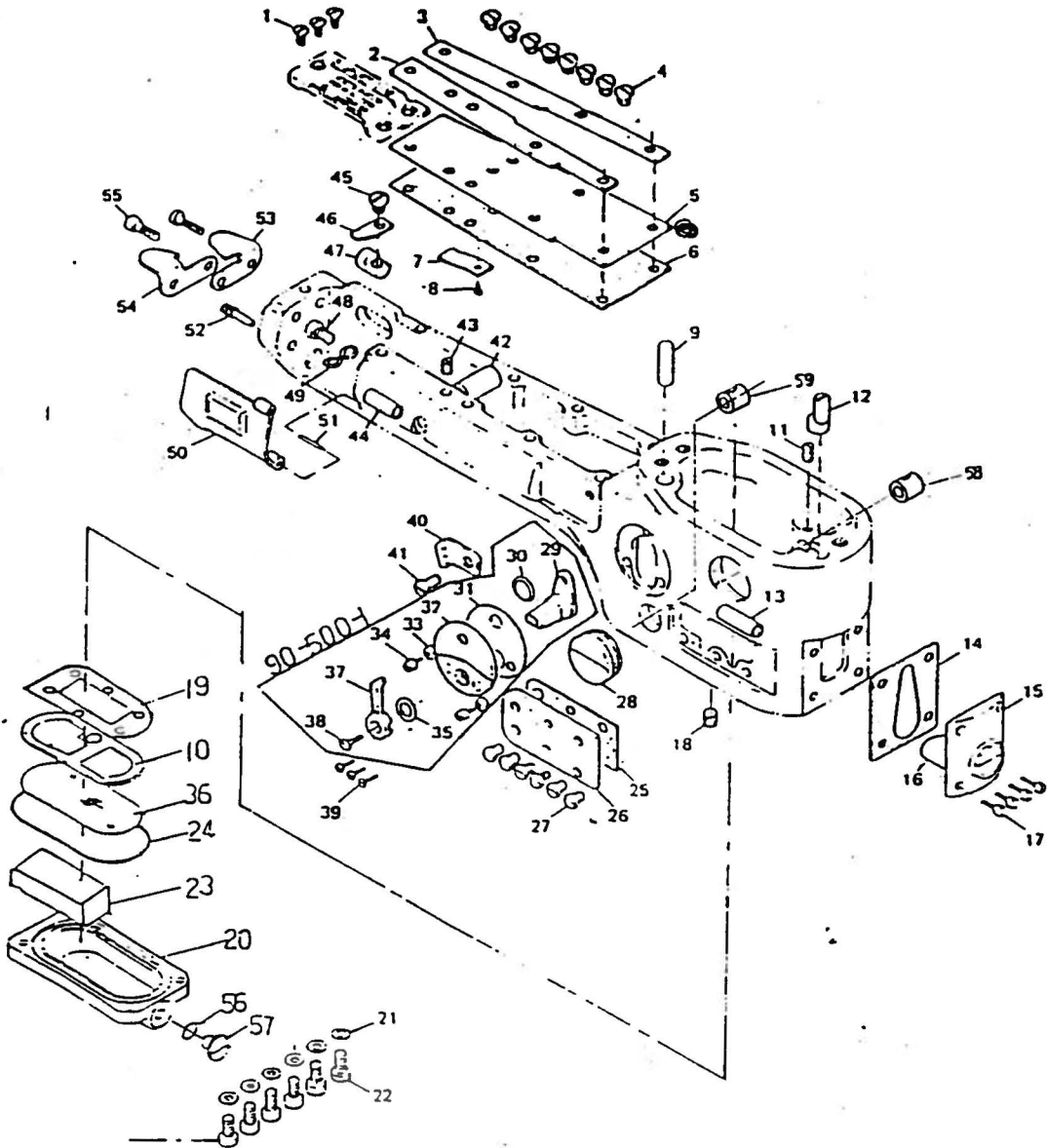
4. Oil Lubrication Apparatus (Accessories)



Ref. No.	Parts No.	Part Name	Q'ty
1	98-531	Oil reservoir, back	1
2	98-529	Oil pump housing cover, rear	1
3	98-530	Oil reservoir outlet tube	1
4	84-363	Screw	3
5	98-525	Rotary pump gear	2
6	98-527	Driven gear shaft	1
7	98-532	Vent screw, for oil pump	2
8	98-534	Oil pump housing	1
9	98-526	Oil pump driven gear	1

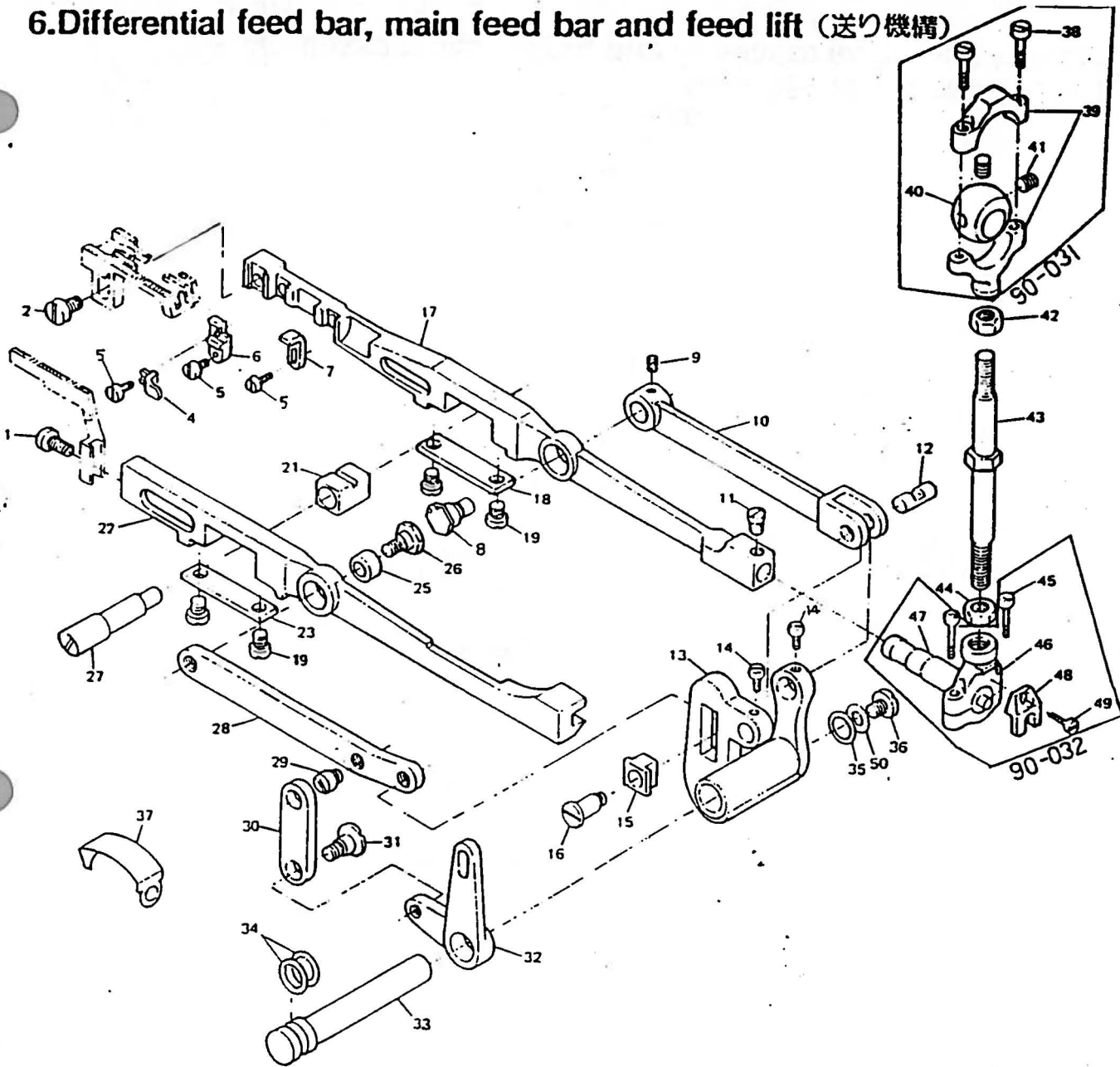
Ref. No.	Parts No.	Part Name	Q'ty
10	84-521	Screw	2
11	75-802	Washer	1
12	75-433	Washer	1
13	98-524	Oil pump housing cover, front	1
14	84-363	Screw	3
15	84-361	Screw	2
16	98-535	Take-up shield	1
17	98-736	Gasket	1
18	98-537	Oil reservoir, front	1
19	18-333	Oil pump gear	1
20	18-528	Oil pump gear shaft	2
21	23-341	Felt	1

5. Cylinder covers and bushings (カバー、ブッシュ関係)



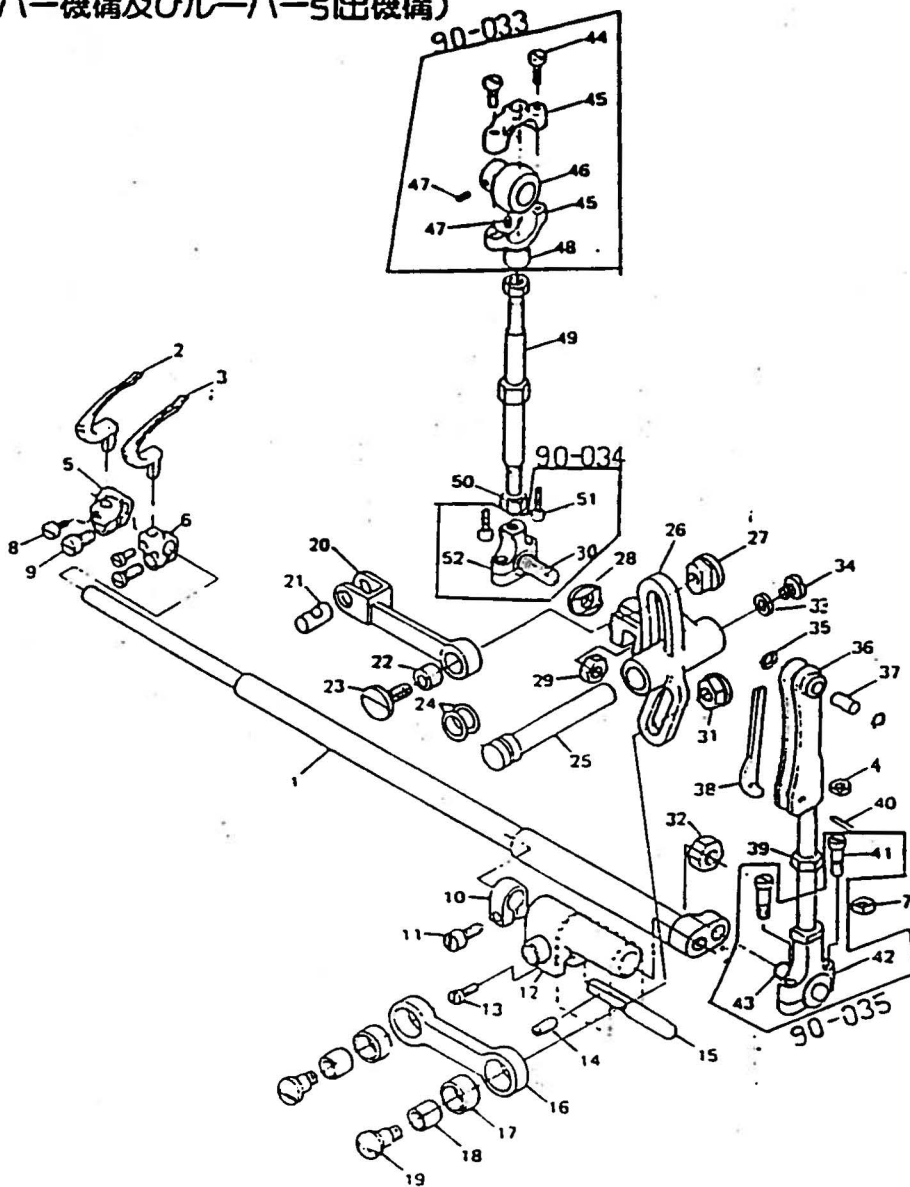
Ref. No.	Parts No.	Part Name	Q'ty	Ref. No.	Parts No.	Part Name	Q'ty
1	84-461	Screw	3	29	98-748	Adjusting lever	1
2	98-635	Folder gib, left	1	30	23-188	O-ring	1
3	98-636	Folder gib, right	1	31	98-746	Gasket	1
4	98-873	Screw	8	32	98-745	Adjusting plate	1
5	98-637	Cylinder cover	1	33	98-651	Nut	2
6	98-638	Gasket	1	34	98-650	Stop screw pin	2
7	98-665	Upper lint shield	1	35	23-164	Washer, fiber	1
8	85-611	Screw	1	36	98-754		
9	98-804	Dowel pin	1	37	98-749	Operating lever	1
10	98-752	Oil filter	1	38	84-462	Screw	1
11	84-507	Screw	1	39	84-462	Screw	3
12	98-641	Eccentric pin	1	40	98-655	Looper thread eyelet	1
13	98-642	Looper shaft bushing, front	1	41	84-575	Screw	1
14	98-643	Gasket	1	42	98-656	Bushing, for feed bar eccentric stud	1
15	98-644	Cylinder cover, front	1	43	84-521	Screw	1
16	98-734	Oil gauge	1	44	98-657	Looper shaft bushing, rear	1
17	84-380	Screw	4	45	84-366	Screw	1
18	84-521	Screw	1	46	98-664	Cylinder cover spring	1
19	98-756	Cylinder bottom gasket	1	47	98-661	Cylinder hinged cover spring, support stud	1
20	98-751	Cylinder bottom cover	1	48	84-374	Screw	1
21	98-859	Shield washer	6	49	98-806	Looper thread guide wire	1
22	84-556	Screw	6	50	98-659	Hinged cover	1
23	98-757	Oil filler	1	51	98-658	Pin	1
24	23-284	O-ring	1	52	98-660	Screw pin	1
25	98-646	Gasket	1	53	98-662	Chain cutter blade, lower	1
26	98-647	Cylinder side cover	1	54	98-663	Chain cutter blade, upper	1
27	84-462	Screw	6	55	84-374	Screw	2
28	87-812	Plug screw	1	56	23-283	O-ring	1
				57	85-536	Screw	1
			5	58	81-616	Feed rocker shaft bush A	1
				59	81-651	Feed rocker shaft bush B	1

6. Differential feed bar, main feed bar and feed lift (送り機構)



Ref. No.	Parts No.	Part Name	Q'ty	Ref. No.	Parts No.	Part Name	Q'ty
1	84-574	Screw	1	26	98-880	Differential feed bar driving link stud	1
2	84-566	Screw	1	27	98-570	Feed bar eccentric stud	1
3	84-162	Screw	1	28	98-569	Differential feed bar driving link	1
4	18-642	Needle guard	1	29	98-744	Screw	1
5	84-162	Screw	2	30	98-741	Differential feed adjusting lever link	1
6	98-554	Needle guard holder	1	31	98-740	Screw	1
7	98-579	Main feed dog support	1	32	98-747	Differential feed adjusting lever	1
8	98-575	Eccentric pin	1	33	98-566	Feed rocker shaft	1
9	84-314	Screw	1	34	98-857	O-ring	2
10	98-555	Main feed bar driving link	1	35	98-871	O-ring	1
11	84-718	Screw	1	36	84-574	Screw	1
12	98-556	Link pin	1	37	98-578	Lower lint shield	1
13	98-561	Feed rocker	1	38	84-568	Screw	2
14	84-161	Screw	2	39	98-843	Feed lift eccentric assembly	1
15	98-742	Differential feed, driving link slide block	1	40	98-557	Eccentric ball joint	1
16	98-739	Differential feed bar driving link stud	1	41	84-521	Screw	2
17	51-606	Main feed bar	1	42	86-412	Nut	1
18	98-572	Feed bar plate	1	43	98-558	Connecting rod	1
19	84-564	Screw	4	44	86-411	Nut	1
20	98-575	Main feed bar, eccentric driving stud	1	45	84-572	Screw	2
21	98-750	Feed bar slide block	1	46	63-822	Eccentric assembly	1
22	98-571	Differential feed bar	1	47	98-559	Ball joint	1
23	98-572	Feed bar plate	1	48	69-122	Ball fork	1
24	84-664	Screw	2	49	84-362	Screw	1
25	98-673	Bushing	1	50	98-883	Washer	1

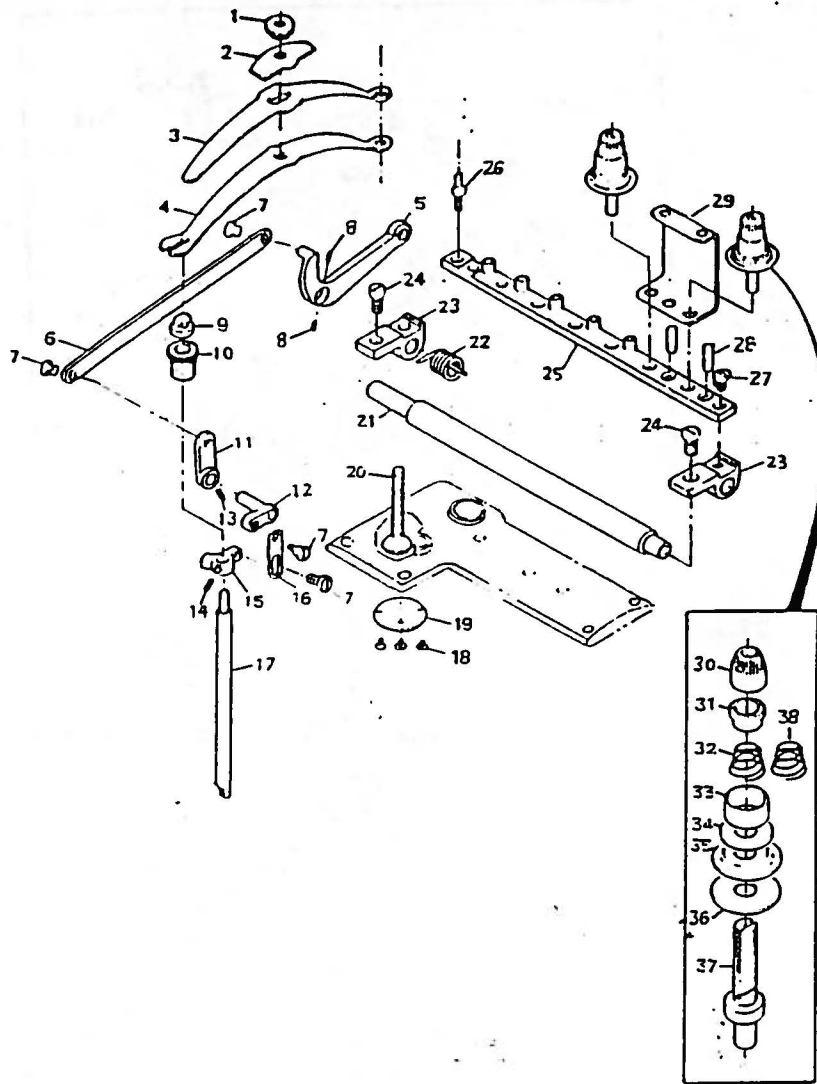
7. Loopers, feed drive assembly and looper avoid assembly (ルーパー機構及びルーパー引出機構)



Ref. No.	Parts No.	Part Name	Q'ty	Ref. No.	Parts No.	Part Name	Q'ty
1	98-586	Looper rocker shaft	1	28	51-201	Ball stud washer	1
2	19-603	Looper, for middle needle	1	29	86-501	Nut	1
3	15-602	Looper, for right needle	1	30	61-831	Connecting rod	1
4	86-411	Nut	1	31	98-597	Nut	1
5	19-605	Looper holder, for middle needle looper	1	32	98-876	Nut	1
6	19-604	Looper holder, for right needle looper	1	33	75-467	Washer	1
7	86-412	Nut	1	34	84-574	Screw	1
8	84-364	Screw	2	35	93-201	Retaining ring	2
9	84-362	Screw	2	36	65-902	Looper driving connecting link	1
10	98-603	Looper shaft collar	1	37	71-322	Shaft	1
11	84-591	Screw	1	38	79-601	Plate spring	1
12	98-604	Looper shaft sleeve	1	39	98-598	Connecting rod	1
13	84-363	Screw	1	40	71-201	Pin	1
14	84-713	Screw	1	41	84-572	Screw	2
15	98-599	Stud, for looper shaft sleeve	1	42	63-812	Looper driving connecting ball joint	1
16	98-600	Connecting rod bearing shell	1	43	98-875	Looper driving connecting rod	1
17	98-821	Needle bearing	2	44	84-668	Screw	2
18	98-601	Ferrule	2	45	98-843	Feed drive eccentric assembly	1
19	98-881	Screw	2	46	98-594	Eccentric connecting rod	1
20	98-589	Feed rocker driving link	1	47	84-521	Screw	2
21	98-556	Link pin	1	48	86-412	Nut	1
22	98-573	Bushing, for feed rocker driving link	1	49	98-558	Connecting rod	1
23	98-864	Screw	1	50	86-411	Nut	1
24	98-857	O-ring	2	51	84-672	Screw	2
25	71-610	Feed drive shaft	1	52	63-816	Connecting ball joint	1
26	67-602	Feed rocker	1				
27	98-819	Nut	1				

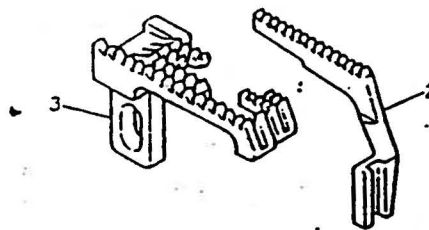
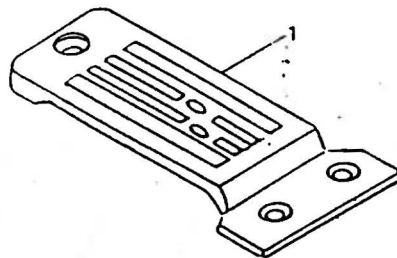
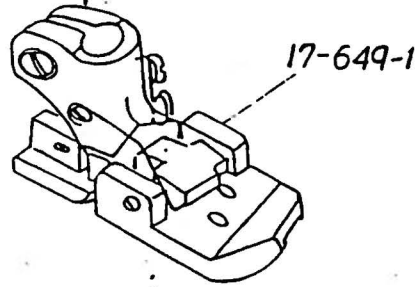
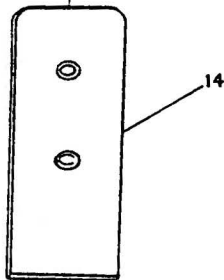
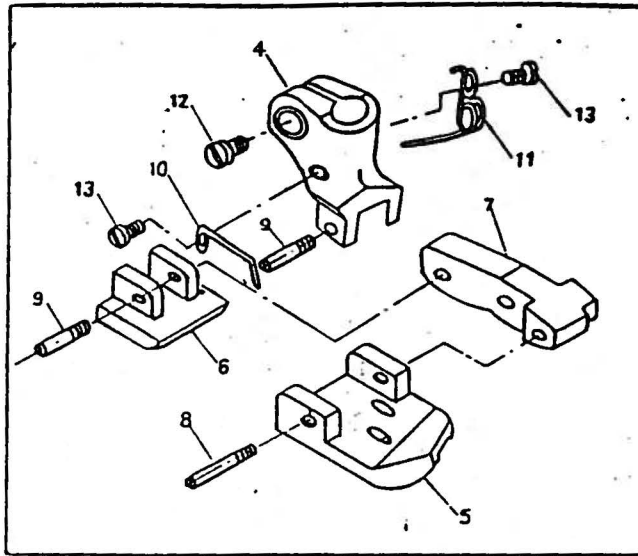
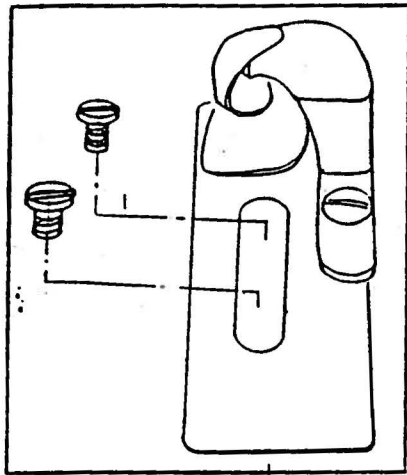
9. Upper puller feed, foot lifter and tension parts

(押え上げ、糸道関係)



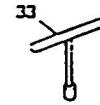
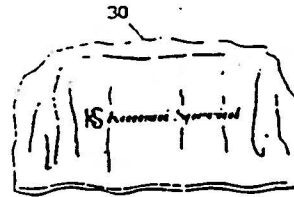
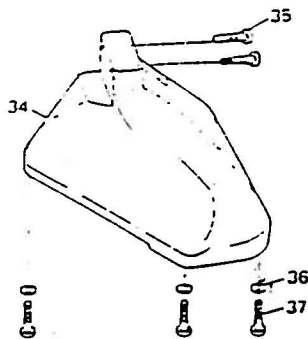
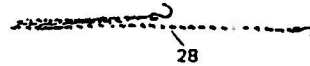
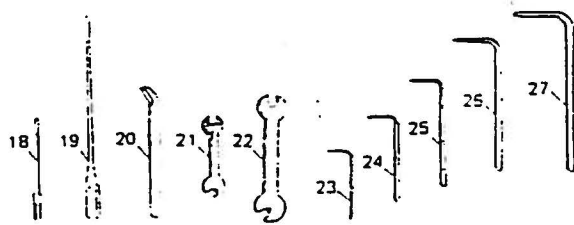
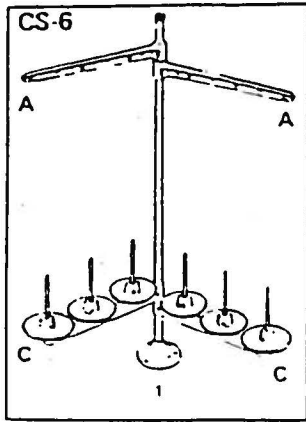
Ref. No.	Parts No.	Part Name	Qty	Ref. No.	Parts No.	Part Name	Qty
1	98-729	Presser spring regulating nut	1	33	41-107	Tension disc cover (large)	4
2	98-652	Presser spring plate	1	34	23-324	Felt	4
3	28-652	Presser spring, upper	1	35	98-823	Tension disc (large)	4
4	98-654	Presser spring, lower	1	36	41-111	Tension disc (small)	4
5	98-702	Lifter lever	1	37	41-160	Tension post	4
6	98-676	Lifter lever link	1	38	41-702	Looper thread tension spring	2
7	98-677	Screw	4				
8	94-727	Screw	2				
9	98-701	Presser spring rest	1				
10	98-700	Presser bar screw	1				
11	77-651	Lifter lever crank	1				
12	98-707	Presser bar lifter lever	1				
13	84-727	Screw	1				
14	84-521	Screw	1				
15	98-695	Presser bar lifter and guide	1				
16	98-708	Lifter lever connecting link	1				
17	71-684	Presser bar	1				
18	84-361	Screw	3				
19	98-731	Cover plate	1				
20	98-699	Presser spring regulating screw	1				
21	98-704	Tension release shaft	1				
22	98-706	Tension release shaft spring	1				
23	98-732	Tension plate bracket	2				
24	84-564	Screw	2				
25	41-660	Tension support	1				
26	98-703	Presser spring rest	1				
27	84-574	Screw	1				
28	98-825	Tension disc release pin	7				
29	98-730	Tension post bracket	3				
30	41-101	Tension disc cover (small)	4				
31	41-105	Tension disc wicket	4				
32	41-701	Needle thread tension spring	2				

10. Gauge parts and attachments (ゲージ及びアタッチメント関係)



Ref. No.	Parts No.	Part Name	Q'ty	Ref. No.	Parts No.	Part Name	Q'ty
1	14-649	Needle Plate	1	10		Presser Spring (front)	1
2	15-640	Differential feed dog (P1-2)	1	11		Presser Spring (rear)	1
	15-641	(P1-5)		12	84-382	Screw	1
3	15-649	Main feed dog	1	13	85-611	Screw	2
	15-650	(P1-5)		14	27-651	Folder base plate	1
4		Presser foot Shank	1				
5		Presser foot bottom (front)	1				
6		Presser foot bottom (rear)	1				
7		Connecting rod	1				
8		Pin Screw (100)	1				
9		(100)	2				

11. Thread stand and accessories (糸立て、アクセサリー)



Ref. No.	Parts No.	Part Name	Q'ty
1			
2			
3			
4			
5			
6			
7			
8			
9			
10			
11			
12			
13			
14			
15			
16			
17			
18	28-451	Screw driver (small)	1
19	28-452	Screw driver (large)	1

Ref. No.	Parts No.	Part Name	Q'ty
20	28-011	Tweezers	1
21	28-421	Spanner (small)	1
22	28-422	Spanner (large)	1
23	28-311	Wrench A	1
24	28-312	Wrench B	1
25	28-313	Wrench C	1
26	28-314	Wrench D	1
27	28-315	Wrench E	1
28	28-920	Chain	1
29	28-611	Oil (Esso Teleso 33)	1
30	28-021	Machine cover	1
31			
32	13-	Needle UY 128 GLS	1
33	28-464	Wrench T type	1
34	98-508	Mount base	1
35	98-854	Screw	2
36	75-362	Washer	3
37	98-870	Screw	3

